



TOTAL SOLUTIONS PROVIDER OF
GLUING & INSPECTION SYSTEMS TO THE
FOLDING CARTON
INDUSTRY



Adhesive Dispensing & Quality Assurance Systems

CONTROLS

ONEVIEW

The new OneView allows intuitive and fast control from a touch-screen. Portable and lightweight, OneView is central display for multiple MCP-4J, MCP-8, and MCP-8i units for up to 48 valves.



- Available in 10" and 22" screen dimensions
- Supports contact and non-contact applications
- Supports multiple valves and sensors for folder-gluer applications as well as multi-point gluer applications
- Familiar ClearVision gluing interface and easy connectivity
- Job storage up to 1000 jobs
- OEM communication
- Simple glue station reconfigurability
- Right- and left-hand machine screen configurations
- New sensor screens with glue, flap length, and barcode inspection, as well as sensor signal diagnostics



MCP-8/MCP-8i



- Use with OneView screens or connect one or more to any ClearVision system to display gluing screens on the 'gluer' tab of the ClearVision system
- Pneumatic and electronic pressure control outputs
- 8 valves, 8 scanners (MCP-8) or 4 valves, 4 scanners, 3 sensors (MCP-8i)
- Supports contact and non-contact gluing stations
- Jam preventer (4 or 8 Channel)
- Job storage (100)
- Batch count
- Auto-configuring voltage 90-240VAC
- Internal/external pressure control
- Available in Imperial and Metric
- Backup/restore to/from external media
- OEM communication
- Scanner lockout
- Auto-glue mode
- Pulse-purge
- Stitched patterns and jog on restart

In addition to the above features, the MCP-8i includes:

- 4-valves, 3-inspection sensors, 1 marking valve, kicker or pneumatic rotary ejector
- Supports CGS-40 and CGS-40S, as well as AS-304, glue inspection sensors and laser barcode readers
- Scanner lockout
- MCP-8/8i units supplied with OneView screens will have the front panel screen and keypad replaced with a blank cover plate

MCP-4J

- Compatible with OneView screens
- 4-Valves, 4-Scanners
- Auto-configuring voltage 90-240VAC
- Internal/external pressure control
- Job storage (100)
- Available in Imperial and Metric
- LED display plus push-button overlay
- Auto-glue mode
- OEM communication
- Pulse-purge
- Stitched patterns with jog on restart
- Data sharing with CartonChek
- USB port for system backups and software updates.
- Batch count
- Scanner lockout
- Vertical or horizontal mounting



VCX/OT-120



- Up to 16 channels in modules of 4 in any combination of sensors and valves
- Jam preventer (up to 16 channels)
- Auto-configuring voltage 90-240VAC
- Internal pressure control (up to 4)
- External pressure control (up to 4)
- Easily recognized icon-based access to gluing inspection
- Job storage (1000)
- Batch, supports tracking and all forms of ejection
- Available in Imperial and Metric
- 12" remote-mount color touch-screen
- Data sharing with CartonChek 7
- OEM communication
- Auto-glue mode
- Pulse-purge
- Stitched patterns with jog on restart
- Scanner lockout
- Quality data collection and reporting
- SupportChek remote service access

COLD GLUE VALVES

524 LNLR VALVE

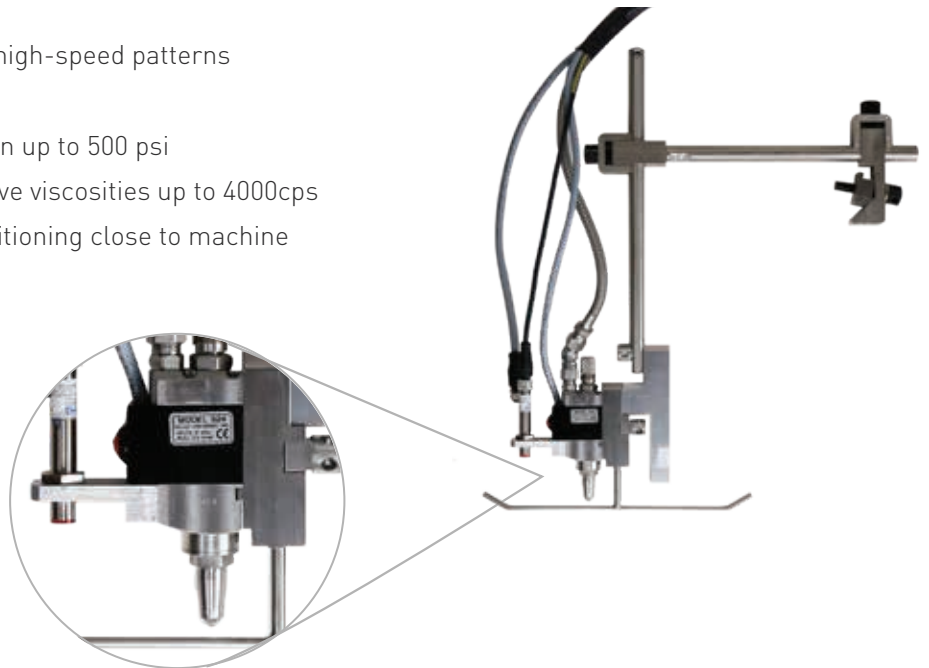
ELECTRIC EXTENDED NOZZLE VALVE

524 electric valve combines speed, small size, and dotting capability with a high flow rate to create a valve suitable for non-contact and contact applications.

- Adjustable flow rate for precision high-speed patterns
- Integrated purge/test switch
- Capable of high-pressure operation up to 500 psi
- Compatible with a range of adhesive viscosities up to 4000cps
- Extended nozzle body permits positioning close to machine rails for installation flexibility
- Ceramic on ceramic ball and seat

WATCH VIDEO

524 LNLR VALVE



► <https://go.valcomelton.com/524-valve-video>

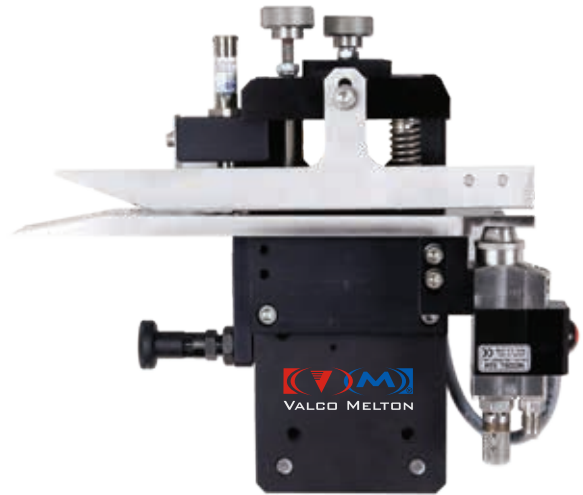


BOTTOM-UP GLUE STATION

SIDE SEAM GLUE POT REPLACEMENT

Valco Melton's bottom-up gluing station offers producers an alternative to messy, labor-intensive glue pots. The system provides precise glue application without cleanup due to adhesive slinging. Product quality is improved, and production flexibility is achieved by applying precise glue patterns with the ability to use a wider range of adhesives.

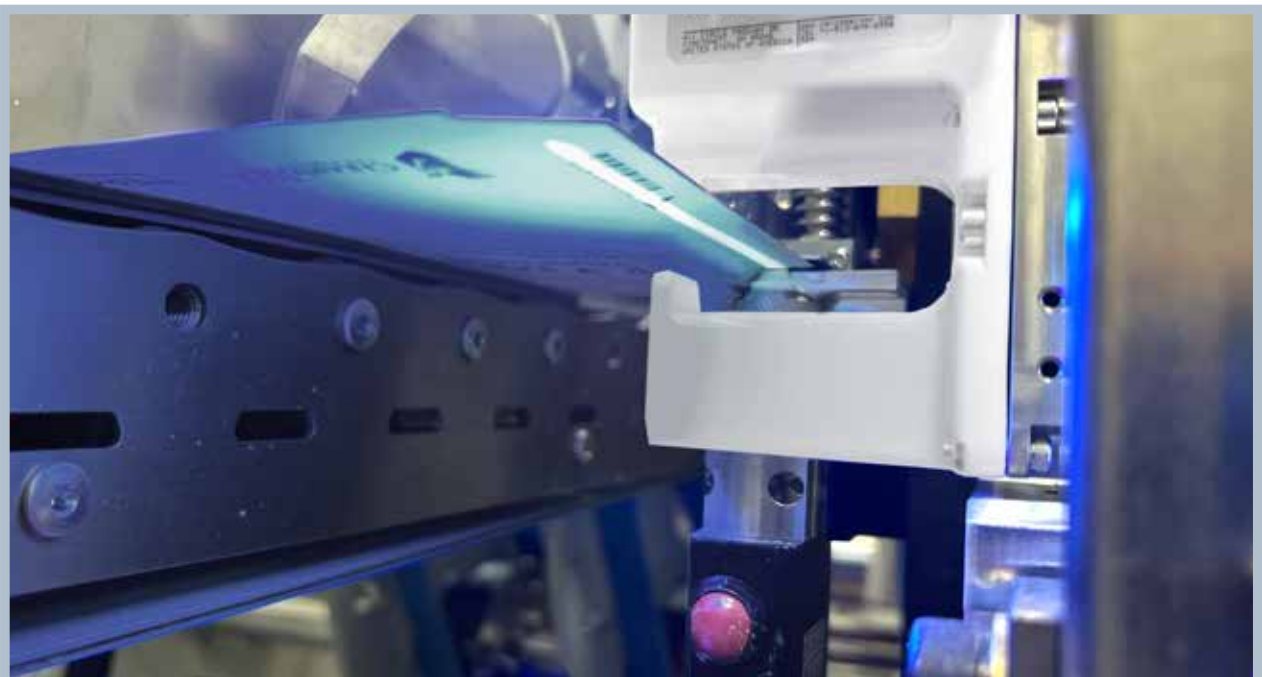
- Can be installed on most folder-glueers
- All-electric highspeed precision glue valve
- Reduces adhesive usage
- Eliminates maintenance and cleaning associated with glue pot
- Enhances machine performance and production versatility
- Glue detection available



WATCH VIDEO

BOTTOM-UP
GLUING STATION

▶ <https://go.valcomelton.com/bottom-up-station-video>



PUMPING SYSTEMS & BALANCING REGULATORS

PFRM-6

- Complete assembled package: 14:1 pump, filter, 6:1 balancing regulator, 4-port manifold
- Shaft/seal cartridge for fast and simple repair
- Drum mount, wall mount, and pail mount options



EPP-9

- High flow-rate 9:1 piston pump
- Low glue level detection with optional probe
- Electronic reversing
- Intelligent SLOW MODE feature prevents high cycle rates that occur during priming or when adhesive supply is blocked or depleted (dry cycling)
- Available as single-acting
- Advanced seal technology for 4 times the life of previous piston pumps
- 24V power supply are available 115/230VAC transformer
- Easy to clean and install
- In excess of 50 bar available glue pressure



3:1, 6:1 BALANCING REGULATOR

- Pressure balancing regulator - relieves excess pressure that occurs during highspeed stops
- Ultra-precise and fast pressure control
- No shaft seals
- Easy rebuild
- No pattern flooding at restart
- Rolling diaphragm design for frictionless movement and no losses



SENSORS

AS304/AS304H

COLD GLUE & HOT MELT SENSOR

- Fine Resolution: 0,04 in / 11 mm
- Compact Size: 0,8 in / 21 mm wide x 4,5 in / 115 mm tall x 2,36 in / 60 mm deep
- Functions with quality assurance systems: CartonChek, VCX, MCP-8i
- Highspeed inspection for cold glue and hot melt adhesives
- No UV additive required



CGS-40S

SIDE-SEAM CAPACITANCE SENSOR

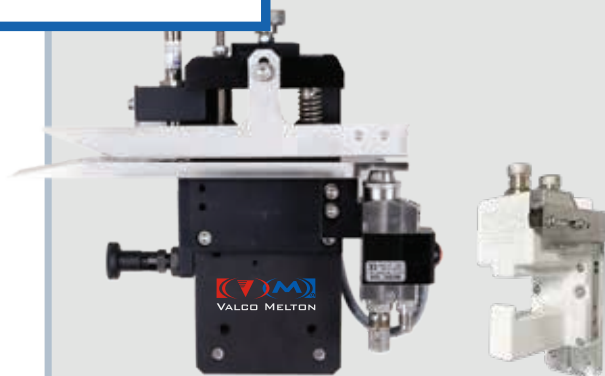
- Designed for side seam inspection
- Glue pot or closed system
- Indicator LEDs for supply voltage and signal output
- Polymer enclosure with a smooth surface for minimal build-up and easy cleaning



THE COMPLETE PACKAGE GLUING APPLICATOR & SENSOR



STANDARD GLUING



SIDE-SEAM GLUING

CDS CODE READER

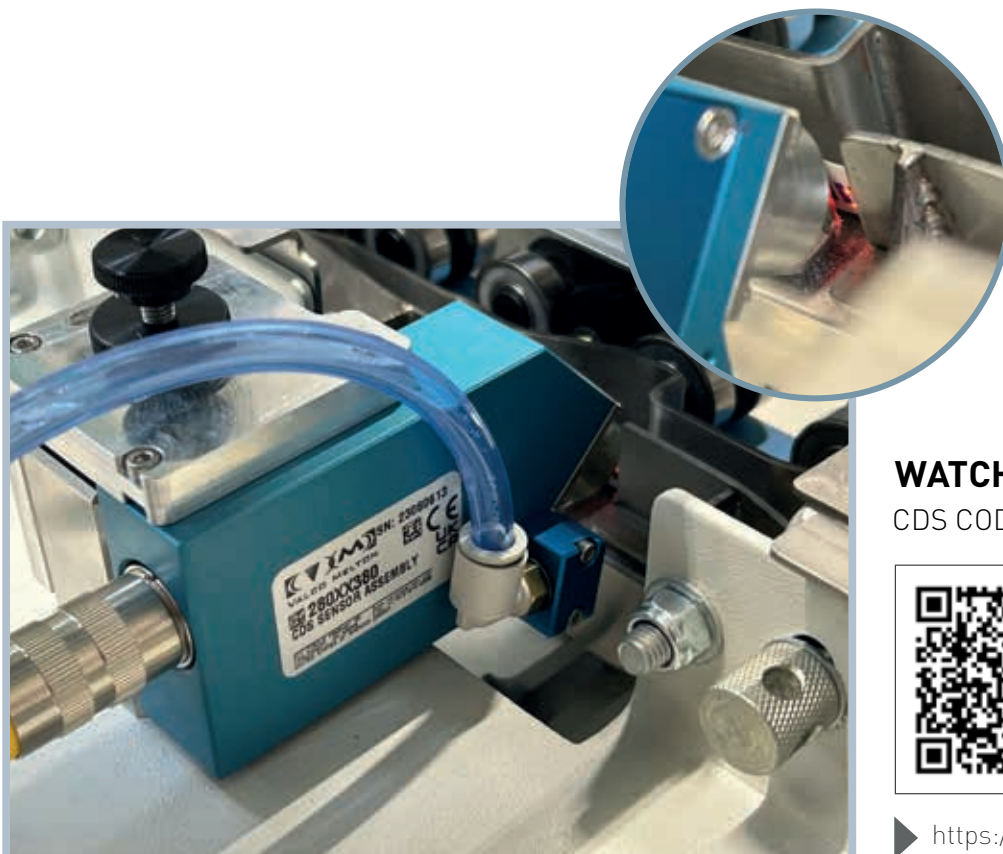
COLOR AND BLACK & WHITE CODE READER

The CDS code reader is an indispensable tool for high-speed production. The code reader reliably monitors color (including foil stampings) or black-and-white barcodes. Valco's color-code-reading system provides inspection functions not possible with any other code reader, identifying:

- Mixed copy
- Missing color
- Color density
- Print registration
- Die-cut registration
- Skew
- Double-feed
- Binary codes (including Bobst and Pharma)



The color code reader comes with a pre-folder. A dual-color code reader is also available for carton applications with print on both sides.



WATCH VIDEO
CDS CODE READER



▶ <https://go.valcomelton.com/CDS-Video>

BAR CODE READER

LASER BARCODE SCANNER

Valco Melton's bar reader inspects the following codes:

- Code 39
- Codabar
- Code 128
- Interleaved 2 of 5
- Code 93
- UPC / EAN / Pharma
- OMR (Optical Mark Recognition)



DIGITAL SENSORS

FOR CUSTOM DETECTION NEEDS

Valco Melton's sensors can cover several of your inspection needs. Configure to inspect aspects such as:

- Length and skew detection
- Flap detection
- Foil and window detection
- Label detection



EJECTORS, KICKERS & MARKERS

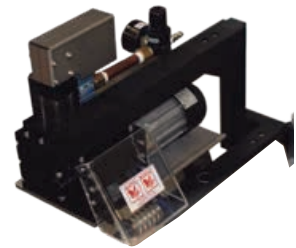
Valco Melton provides ejector devices that can function independently or be seamlessly integrated into a main machine, allowing for direct configuration from the main system.

ROTARY & LINEAR EJECTORS

Valco Melton offers high-speed linear and rotary ejector systems that remove defective products before they can be processed.



Rotary ejector

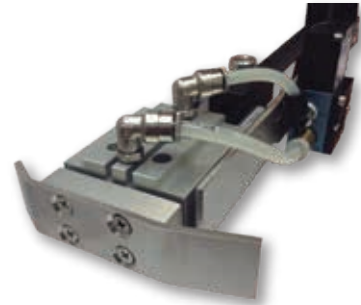


Linear ejector

KICKER

The Valco Melton Kicker is ideally suited for batch counting and reject kicking applications. The kicker offers a fast cycle time for smaller cartons and a compact design for flexible mounting requirements.

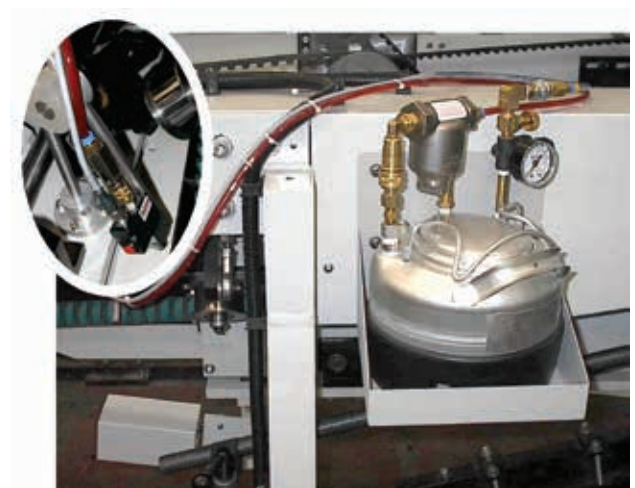
- Single kick eject
- Dual kick and count-eject optional



MARKING VALVE

The marking valve identifies every faulty product.

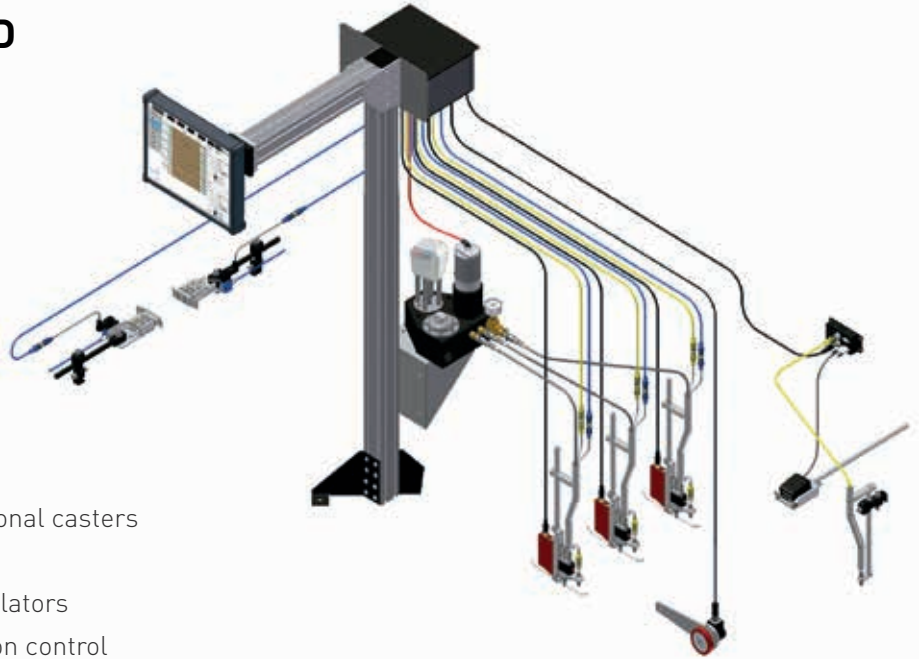
- Compact system
- Stainless steel tank
- All-electric, jetting or spray valve options
- Optional UV lamp kit



SYSTEM STAND & ACCESSORIES

MODULAR SYSTEM STAND

Valco Melton offers several options for system stands. The system stand significantly reduces initial installation time and provides a clean, organized installation for improved operator interface.



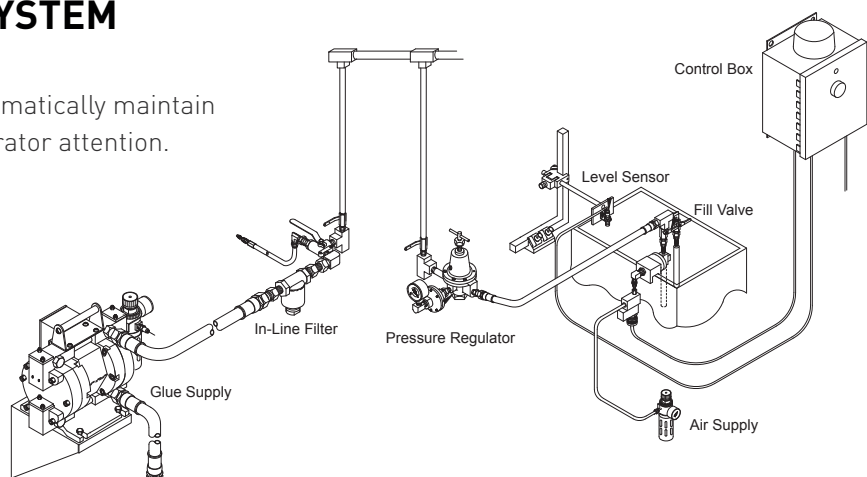
- Floor mount, machine mount, or optional casters
- Diaphragm pump or piston pump
- Single or multiple glue pressure regulators
- Selected for any standard Valco Melton control



System stand options are available for any system configuration

AUTOMATIC POT FILL SYSTEM

Valco Melton pot fill system will automatically maintain adhesive level without requiring operator attention.



THE HOT MELT ALTERNATIVE

The use of hot melt equipment is interesting in situations where an alternative to cold glue is needed, as it adheres less effectively to non-porous surfaces, such as laminated cardboard.

ECOSTITCH

ALL-ELECTRIC APPLICATOR

The MXM electric valve can operate at extremely high speeds, reaching 15,000 cycles per minute, and can handle more than 2 billion cycles before requiring service.

- Up to 75% of adhesive savings by applying glue dots
- Clean application
- Fast system payback
- Side feed or top feed assembly



MKF

COMPACT APPLICATOR

The MKF compact applicator is easy to install in areas with limited space. The air-open, air-close, zero-cavity design produces a clean adhesive shut-off for PUR and pressure-sensitive adhesives.

- Sharp cut-off for a clean application – no adhesive stringing
- Specially insulated for safe handling
- Zero cavity design – swift and accurate patterns



KUBE

ENERGY-EFFICIENT MELTER

The new generation of Kube energy-efficient melters optimizes the heating process and improves insulation, minimizing energy lost to the environment.

- User-friendly control panel
- Different sizes and melting capacities available
- Low-pressure pump available for processes with low adhesive grammage requirements
- I/O signals included as standard



ECOSTITCH

ALL-ELECTRIC MELTER

The new EcoStitch series melters are the most intelligent, versatile, and technologically advanced adhesive melters ever created and include Ethernet IP integration, and digital pressure control. Adhesive usage data is available on screen, with full OEM integration on all digital-based data.

- Digital closed loop pressure control
- Adhesive usage data
- Ethernet IP Communication System
- All-electric gear pump and integrated auto-feed system options



ISOMELT-MINI

PUR MELTER

Ideal for plastic packaging, the IsoMelt melter is designed to process reactive hot melts such as PUR. Its fully integrated, multi-functional controller allows fast and easy configuration changes and provides 'key-to-line' capabilities. The swiveling tank lid allows for faster changes of PUR slugs, minimizing downtime.



VISION INSPECTION SYSTEMS



CARTONCHEK

Designed by ClearVision, the quality inspection systems brand of Valco Melton, CartonChek, ensures 100% inspection of the folding cartons produced before they reach the customer. With a choice of up to six camera systems, ClearVision's software does what sensors cannot do.

FEATURES & BENEFITS

- Detect and inspect the different aspects of your cartons to ensure a perfect product delivery to your customers.
- Minimize configuration times with the system's ability to learn the position of the cameras and sensors.
- Streamline support sessions using the online chat window.
- Intuitive interface that simultaneously displays real-time images, job statistics, defect images, and a history bar to facilitate analysis.
- Defect and performance data for all boxes are stored locally in the SQL database and can be easily accessed remotely with MeasurementChek for quick and comprehensive reporting.



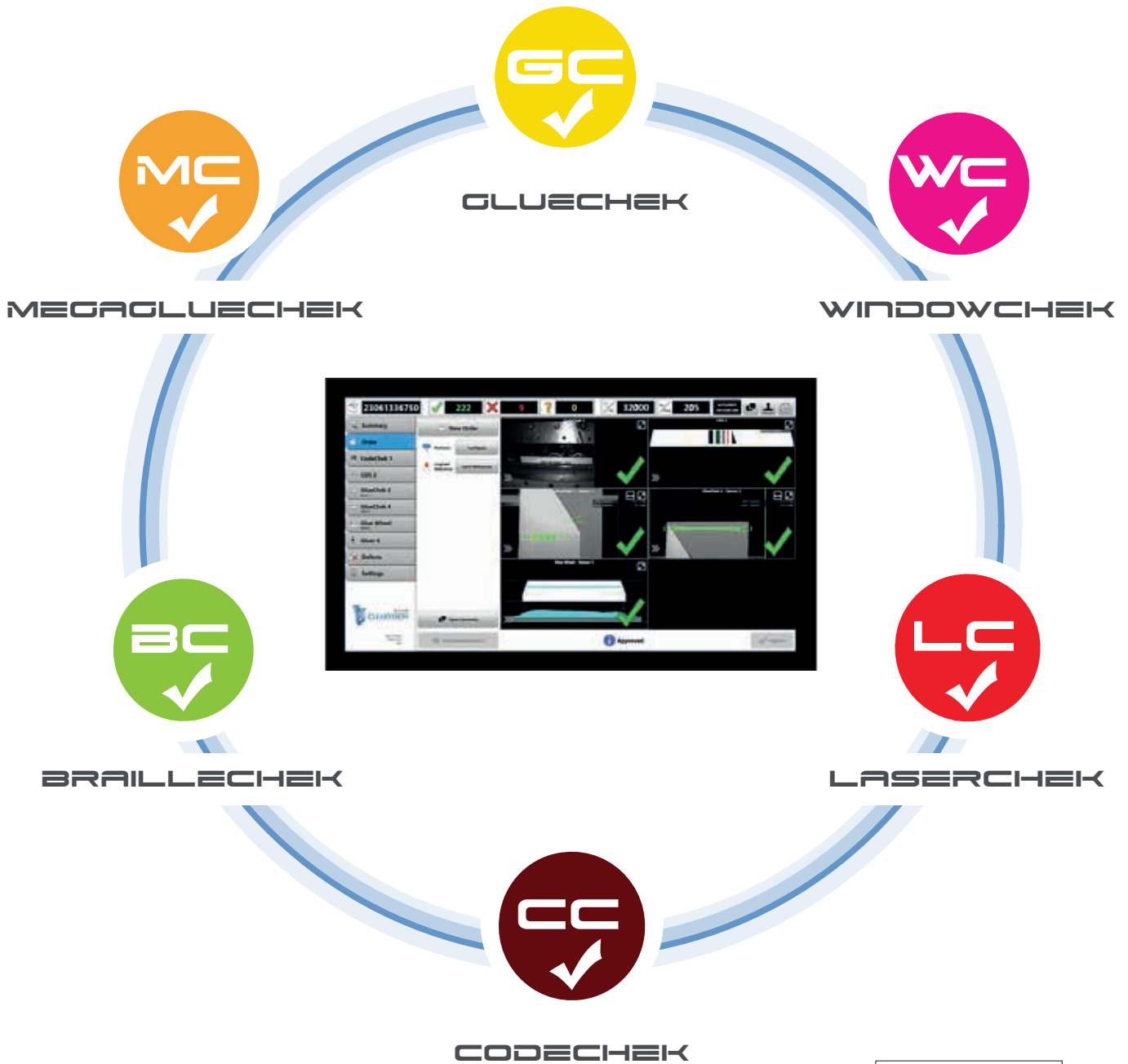
CLEARVISION
THE PERFECT CARTON



VALCO MELTON

ClearVision inspection systems offer a complete quality assurance solution that guarantees zero-defect products to customers.

A leader in vision-based inspection system development, ClearVision is Valco Melton's brand dedicated to reinventing and streamlining the quality assurance process for paper-converting manufacturers worldwide. By utilizing ClearVision solutions, customers can ensure that every one of their products is perfect before they are sent out the door.



LEARN MORE
ABOUT CARTONCHEK



▶ <https://go.valcomelton.com/cartonchek-learn-more>

MAKING QUALITY VISIBLE



GLUECHEK

GlueChek™ takes pictures of every glue pattern and analyzes them to ensure no gluing problems exist. When a gluing problem is found, GlueChek shows the defect on the screen, notifies operators by alarm, marks the defective box, and saves an image of the gluing problem. Box makers can now provide 100% perfectly glued boxes to their customers by identifying and removing all defects before shipment. Having saved a picture of every defect builds operator confidence, helps maintenance troubleshoot, checks for skewed boards, and increases customer satisfaction.

Use top-down and bottom-up cameras together for automatic “backside detection” to ensure glue is on the desired face of the sheet and not present on the opposite side. GlueChek automatically detects the backside. Opt for GlueChekPlus for camera-based glue inspection without the need for UV additives.

Faulty boxes can be detected at incredibly high speeds. As a result, our customers can boost production speed, save valuable time, and reducing delivery times.

WATCH VIDEO
GLUECHEK



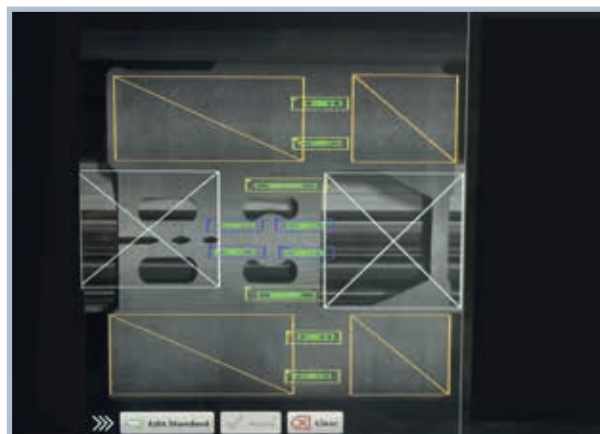
▶ <https://go.valcomelton.com/gluechek-video>



MEGAGLUECHEK

MegaGlueChek™ analyzes various patterns on a carton from one camera, eliminating the need to install more than one camera on the same production line.

For various fields of view, MegaGlueChek is available in increments of 5" / 12,7 cm, ranging from 5 to 30" / 12,7 to 76,2 cm.





CODECHEK

CodeChek™ eliminates customer quality problems caused by mixed copy. The CodeChek system detects most types of binary and 2D barcode formats, including UPC, Code 128, QR Code, and Data Matrix.

Capable of reading barcodes at high speeds of up to 30 boxes/sec in areas up to 58,42 x 58,42" / 23 x 23 cm, CodeChek adapts to your production requirements with the ability to mount the camera bottom-up or top-down.



WATCH VIDEO
CODECHEK

▶ <https://go.valcomelton.com/codechek-video>



WINDOWCHEK

The clear nature of plastic windows makes them naturally challenging to detect and inspect using machine vision. WindowChek™ technology utilizes the reflective properties of plastic to identify defective products for rejection.

WindowChek camera verifies the following features of plastic windows to guarantee the integrity of the packaging:

- Window height
- Window width
- Position
- Presence of contaminants
- Glue pattern or tape

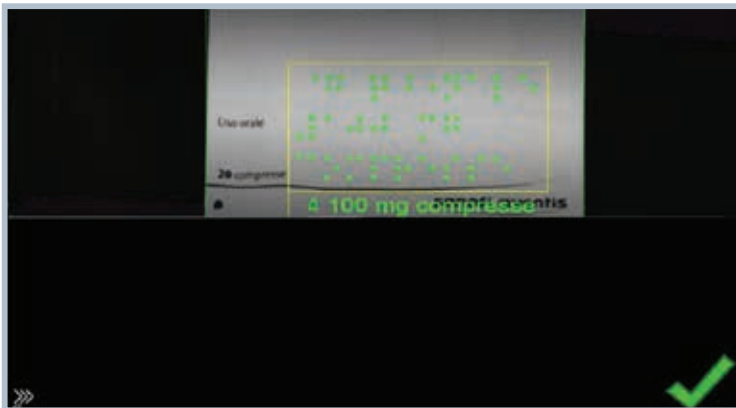




BRAILLECHEK

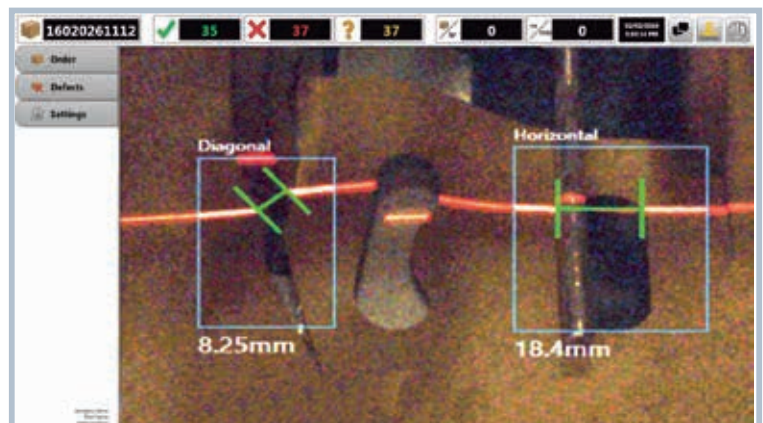
BrailleChek™ decodes Braille into text for accuracy and validation at full production speed. Cartons with missing dots, poorly formed dots, and extra dots are removed from the machine. BrailleChek offers folding carton manufacturers the ability to provide customers with peace of mind while eliminating high costs associated with returned, defective product.

BrailleChek inspects from the printed side, disregarding the surface of the braille dots and all other print on the BrailleChek solution.



LASERCHEK

LaserChek™ checks perforations, cutouts, tip-on (placement), die-cuts, or any other point that requires a measurement or validation line. It provides real-time reassurance that 4, 6, 12, and 24-pack carrier handles are punched or knocked out every time.



GLOBAL SUPPORT



PREVENTIVE MAINTENANCE (PM)

- ✓ Valco Melton's AssurancePlus is designed to keep your gluing systems performing at the highest quality while minimizing machine downtime.
- ✓ Ensures the availability of a trained Valco Melton service technician at a recurring scheduled date and time.
- ✓ Preventative maintenance costs 3-5 times less than reactive maintenance costs.
- ✓ Scheduled semi-annual Valco Melton technician PM visits reduce the total cost of ownership by properly training personnel, replacing wearable parts and helping to identify potential problems before they become more significant in affecting productivity and quality.



SUPPORTCHEK PLUS

- ✓ 24-hour remote support
- ✓ Monthly remote login and diagnostic check (with email report)
- ✓ Remote backup in case of system failure
- ✓ Access to MeasurementChek (tracks all boxes and orders run through the machine)



GET SUPPORT

[HTTPS://GO.VALCOMELTON.COM/GET-SUPPORT](https://go.valcomelton.com/get-support)

ACCESS HELP ANYTIME VIA THE VALCO MELTON GLOBAL NETWORK

Global Headquarters

Cincinnati, USA
+1.513.874.6550 | info@valcomelton.com

The Americas, Manufacturing, Sales & Service Centers

Ciudad de Mexico, Mexico
+52.55.627831727 | mexico@valcomelton.com

Bogota, Colombia
+57.313.421.0926 | colombia@valcomelton.com

Sao Paulo, Brazil
+55.11.3071.2117 | brazil@valcomelton.com

ClearVision Technologies
Vancouver, Canada
+1.604.998.4012 | canada@valcomelton.com

GMS-VanSco - USA West Coast
Petaluma, CA, USA
+1.707.285.3392 | inquiry@gmsvansco.com

Asia - Pacific Manufacturing, Sales & Service Centers

Bangalore, India
+91.80.46553300 | india@valcomelton.com

Shanghai, China
+86.592.591.7854 | china@valcomelton.com

Singapore
+65 850 95355 | singapore@valcomelton.com

Quezon City, Philippines
+63 917 535 0891 | philippines@valcomelton.com

Jakarta, Indonesia
+62 811 9112872 | indonesia@valcomelton.com

Tokyo, Japan
+81 80 7347 9242 | japan@valcomelton.com

Ho Chi Minh City, Vietnam
+84 938 828 875 | vietnam@valcomelton.com

Malaysia
+60 1114 344 981 | malaysia@valcomelton.com

Europe, Middle East & Africa Manufacturing, Sales & Service Centers

European Headquarters
Orkoien, Spain
+34 948 321 580 | spain@valcomelton.com

Düsseldorf, Germany
+49 211 984 798-0 | germany@valcomelton.com

Brescia, Italy
+39 030 2732544 | italy@valcomelton.com

Nieuw-Vennep, The Netherlands
+31 252-673673 | benelux@valcomelton.com

Telford, England, UK
+44 1952-677911 | uk@valcomelton.com

Długoleka, Poland
+48 71 889 04 50 | poland@valcomelton.com

Fleurieu-sur-Saône, France
+33 (0) 4 75 78 13 73 | france@valcomelton.com

Budapest, Hungary
+36 1-214-4705 | hungary@valcomelton.com

Prague, Czech Republic
czech@valcomelton.com

Istanbul, Turkey
+90 212 327 99 71 | turkey@valcomelton.com

Sharjah, UAE
+971.521305960 | uae@valcomelton.com

Riyadh, Saudi Arabia
+966 544659139 | saudiarabia@valcomelton.com

Lagos, Nigeria
+234 812 379 1199 | nigeria@valcomelton.com

ERO s.r.l
Brescia, Italy
+39 030 2731503 | info@ero-glucers.com

Direct offices and authorized distributors
across 96 locations worldwide



ALL LOCATIONS



VALCO MELTON

Adhesive Dispensing & Quality Inspection Systems